

ramé-hart Model 500

Advanced Contact Angle Goniometer / Tensiometer with DROPimage Advanced Software

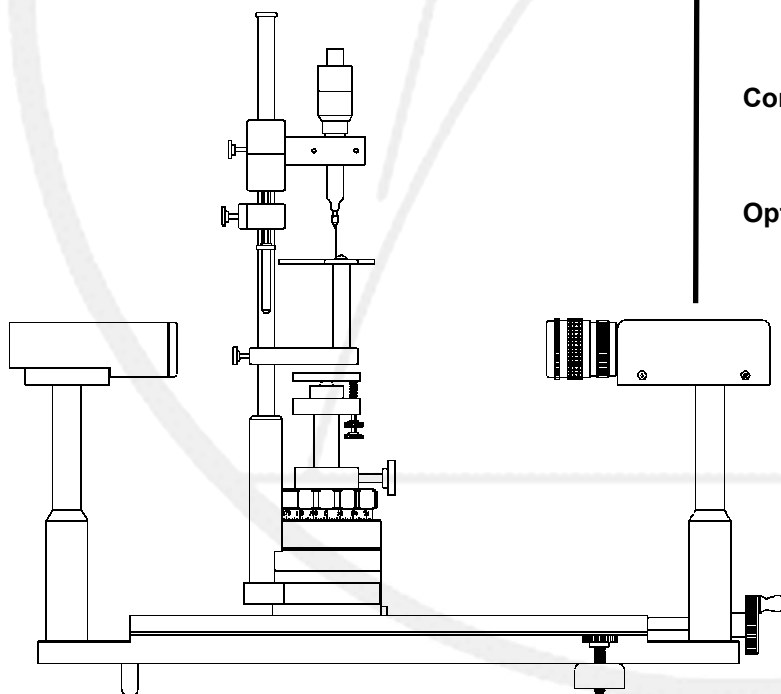
ramé-hart Model 500 (p/n 500-U1)

This top-of-the-line modular tool is the starting point for many possible configurations. Model 500 accepts every available accessory and includes our award-winning DROPimage Advanced software for complete methods-based interfacial analysis with pendant, inverted pendant, sessile, and captive bubble drops. Additionally, contact angle, surface energy, surface tension, and calibration tools are included. Add the optional Automated Dispensing System to increase the accuracy and speed of dispensing as well as for advancing and receding studies.

What's in the box: Goniometer/Tensiometer with U1 Series SuperSpeed Camera, Microsyringe Fixture and Shade, Illuminator and Fiber Optic Bundle, (1) Microsyringe Assembly, (1) 22g Straight Needle for manual dispensing, PC and LCD, DROPimage Advanced Software, User Manual, Calibration Tool, and Storage Cover — everything needed to start taking measurements.

Specifications

Stage Size	2 x 3 in (51 x 76mm)
Sample Size	up to 13.6 in (345mm) x unlimited*
Contact Angle Range	0 to 180°
Resolution	0.01°
Accuracy	+/- 0.10°
U1 Series Camera	SuperSpeed USB 3.0, 1/3" CCD, 100fps, Progressive Scan, Sony Sensor, 659 x 494 pixels
Backlighting	Variable Fiber Optic Illuminator
Stage	Precision 3-Axis
Dimensions	19 x 20 x 10 in (480x500x250mm)
Weight	20 lbs / 9.1 kg (less power and PC)
Power Supply	110 or 220 VAC
DROPimage Features	Contact Angle Measurement (7) Surface Energy Tools Methods-based Surface Tension Pendant, Sessile, Captive Bubble Calibration Tool
Consumables	Illuminator Bulb 100-00-FOB Microsyringe Assembly 100-10-20 Needles 100-10-12-22
Options	Automated Dispenser 100-22 Peltier Chamber 100-30 Environmental Chamber 100-07 Advanced Chamber 100-26-T/TH Elevated Temp. Syringe 100-11 Wafer Support 100-21-x Vacuum Chuck 100-21-VCx Tilting Base 100-06-A/M Lead Frame Support 100-23 Environmental Fixture 100-07-60 Film Clamps 100-15



ramé-hart instrument co • www.ramehart.com • carl@ramehart.com • 973-448-0305 • fax 0315

19 Route 10 East • Suite 11 • Succasunna • New Jersey • 07876 • USA

